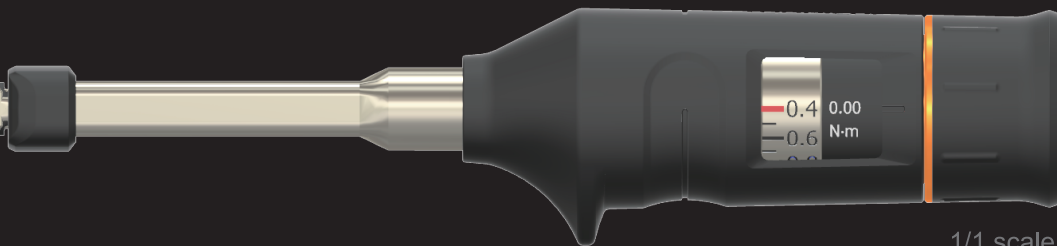


# QL+ · CL+



1/1 scale



QL+



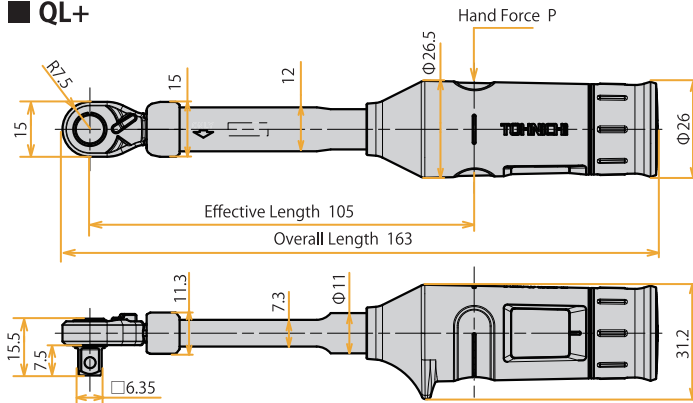
CL+

+ Design  
+ Quality

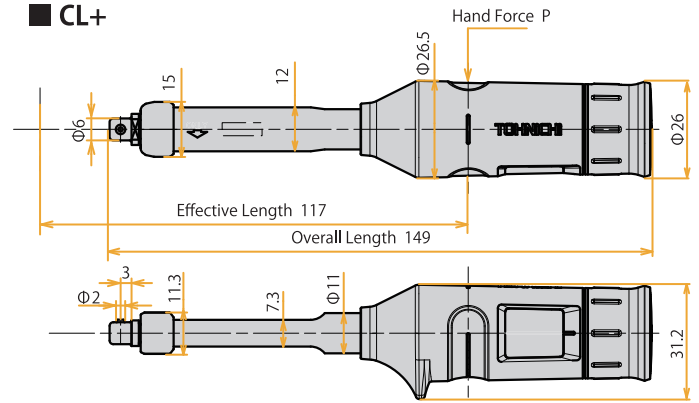
## Features / Specifications

- Achieves comfortable operation with enhanced visibility and intuitive handling through a newly designed scale.
- Refined internal structure delivers a robust click feel and high-precision tightening.
- Compact design enables easier torque management in confined spaces.
- Equipped with a 48-tooth gear to minimize ratcheting loss and ensure efficient tightening.

### ■ QL+



### ■ CL+

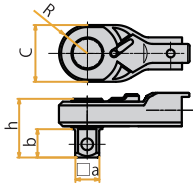


Accuracy  $\pm 3\%$

S.I. Model	Adjustment Range Min. - Max. [N·m]	1 grad. [N·m]	Metric Model	Adjustment Range Min. - Max. [kgf·cm]	1 grad. [kgf·cm]	American Model	Adjustment Range Min. - Max. [lbf·in]	1 grad. [lbf·in]	Hand Force at Max. Torque [N]	Mass [kg]
QL2N+	0.4 - 2	0.01	QL20M+	4 - 20	0.1	QL15I-2A+	3 - 15	0.05	19	0.13
QL5N+	1 - 5	0.025	QL50M+	10 - 50	0.25	QL30I-2A+	6 - 30	0.1	47.6	
CL2NX6D+	0.4 - 2	0.01	CL20MX6D+	4 - 20	0.1	CL15IX6D+	3 - 15	0.05	17.1	0.12
CL5NX6D+	1 - 5	0.025	CL50MX6D+	10 - 50	0.25	CL30IX6D+	6 - 30	0.1	42.7	

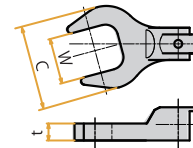
## Replacement Head for CL+

### ■ QH6D Ratchet Head



Applicable Size	Model	R [mm]	Width C [mm]	h [mm]	Square Drive a [mm]	b [mm]
	QH6D	7.5	15	15.5	6.35	7.5

### ■ SH6D Open-End Head



Applicable Size	Model (Body x Jaw Width) [mm]	Width C [mm]	Thickness t [mm]	Max Torque [N·m]
	SH6D x 5.5	13		1.5
	SH6D x 6	15	3	2.5
	SH6D x 7	17		3.5
	SH6D x 8	18		
	SH6D x 10	20	4.5	
	SH6D x 11	21		
	SH6D x 12	22		
	SH6D x 13	23		5
	SH6D x 14	24		
	SH6D x 16	26	5	
	SH6D x 17	27		
SH6D x 19	29			

TOHNICHI Mfg. Co., Ltd. will incorporate the concepts of +Design and +Quality into its products in the future.

### +Design

A product developed with design at its core, pursuing simplicity and functionality.

### +Quality

A product that ensures higher quality than ever before by introducing more advanced inspection systems into the manufacturing process.

- TOHNICHI Mfg. Co., Ltd. reserves the right to change specifications and other details without prior notice for the purpose of improvement.
- Reproduction is prohibited. Unauthorized posting on websites is strictly forbidden.
- © TOHNICHI Mfg. Co., Ltd. All Rights Reserved.